

MALAYSIA

CERTIFICATE OF GRANT OF A PATENT

In accordance with Section 31(2) of the Patents Act 1983 a patent for an invention having grant number MY - 131882 - A has been granted to SCUDERI GROUP LLC in respect of an invention having the following particulars :

TITLE : SPLIT FOUR STROKE CYCLE INTERNAL COMBUSTION ENGINE.

FILING DATE : 19 JULY 2002

PRIORITY DATE : 20 JULY 2001

NAME OF INVENTOR : CARMELO J. SCUDERI.

PATENT OWNER : SCUDERI GROUP LLC
: 173 PROSPECT STREET
SPRINGFIELD
MASSACHUSETTS 01107
UNITED STATES OF AMERICA.

DATE OF GRANT : 28 SEPTEMBER 2007

Dated this 28 day of SEPTEMBER 2007



(MOHD. AMRAN BIN ABAS)
for Registrar of Patents
MALAYSIA

(12) MALAYSIAN PATENT	(11) MY - 131882 - A
<p>(21) Application No.: PI 20022745</p> <p>(22) Filing date : 19 July 2002</p> <p>(47) Date of publication and grant : 28 September 2007</p> <p>(30) Priority data : 09/909,594; 20 Jul. 2001; US</p> <p>(51) Classification, INT CL⁷ : F02B 75/24 F02G 1/00</p>	<p>(56) Prior Art : US 6,230,671 US 6,202,416 US 6,058,901 US 5,992,356</p> <p>(72) Inventors : Carmelo J. Scuderi</p> <p>(73) Patent Owner : Scuderi Group LLC 173 Prospect Street Springfield Massachusetts 01107 United States Of America.</p> <p>(74) Agent : Mary Carmel Syble Louis Henry Goh & Co. Sdn. Bhd.</p>

(54) **Title :** Split four stroke cycle internal combustion engine.

(57) **Abstract :**

A four-stroke cycle internal combustion engine including a crankshaft (108), rotating about a crankshaft axis (110) of the engine. A power piston (114) is slidably received within a first cylinder (104) and operatively connected to the crankshaft such that the power piston reciprocates through a power stroke (138) and an exhaust stroke of a four stroke cycle during a single rotation of the crankshaft. A compression piston (116) is slidably received within a second cylinder (106) and operatively connected to the crankshaft such that the compression piston reciprocates through an intake stroke and a compression stroke of the same four stroke cycle during the same rotation of the crankshaft. A gas passage interconnects the first and second cylinders (104, 106). The gas passage includes an inlet valve (146) and an outlet valve (150) defining a pressure chamber (148) therebetween.

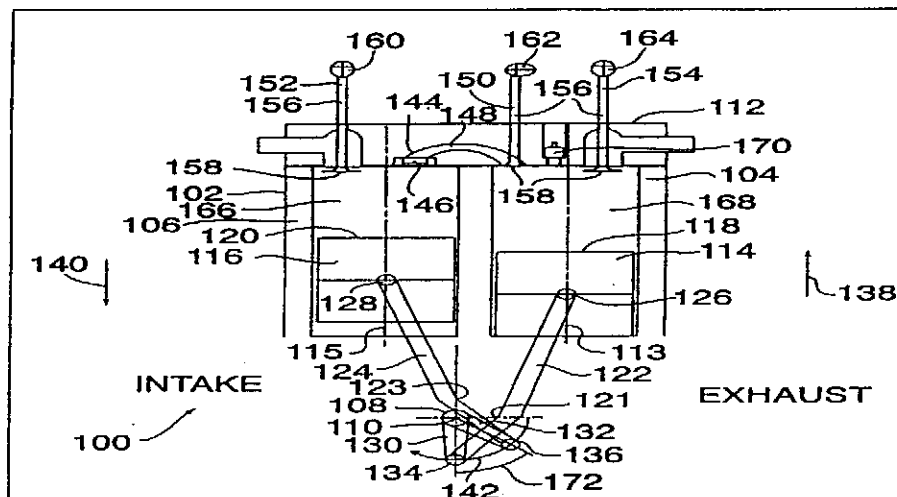


FIG. 7



Perbadanan Harta Intelek Malaysia
Intellectual Property Corporation of Malaysia

Perbadanan Harta Intelek Malaysia
(Intellectual Property Corporation of Malaysia)
Aras 32, Menara Dayaburni,
Jalan Sultan Hishamuddin,
50623 Kuala Lumpur

Telefon: 03-2263 2198 / 2263 2199
Fax: 03-2274 1332
<http://www.myipo.gov.my>

APPLICATION NO. : PI 20022745
APPLICANT : SCUDERI GROUP LLC
FILING DATE : 19/07/2002
AGENT'S/APPLICANT'S FILE REF. : P-14157
DATE OF MAILING THIS REPORT : 06 JUL 2007

**SUBSTANTIVE/MODIFIED SUBSTANTIVE EXAMINATION
CLEAR REPORT - Section 30(1)/30(2)**

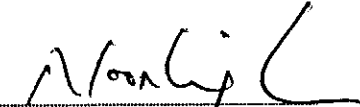
The Examiner has reported / further reported* that the above application complies with the requirements of the Patents Act 1983 and Regulations. The examination was carried out on the following application documents:

Description:	Pages	1 - 8, 10 - 12, 16 - 24	filed on	19 JULY 2002
	Pages	9, 13 - 15	filed on	7 JULY 2004
	Page	25	filed on	12 JULY 2005
Claims:	Pages	26 - 35 (38 claims)	filed on	27 JUNE 2006
	Pages		filed on	
Drawings:	Figure	1 - 11 (7 sheets)	filed on	27 JUNE 2006
	Figure		filed on	
Abstract	Page	36	filed on	27 JUNE 2006
	Figure	7	filed on	27 JUNE 2006

The application will proceed to grant/issue of a certificate upon payment of the prescribed Certificate fee of RM 150.00 in the case of a Patent or RM 100.00 in the case of a Utility Innovation. The fee must be paid within 2 months of the date of mailing this report.

A search report is attached *Yes / No
* Delete if not applicable.

Date : 06 JUL 2007


(Noorhisham Othman)
for Registrar of Patents
noorhisham@myipo.gov.my
03-22632156

To : MARY CARMEL SYBLE LOUIS
C/O HENRY GOH & CO SDN BHD,
SUITE 3.02, LEVEL 3, AMODA BUILDING,
22, JALAN IMBI,
55100 KUALA LUMPUR,
MALAYSIA